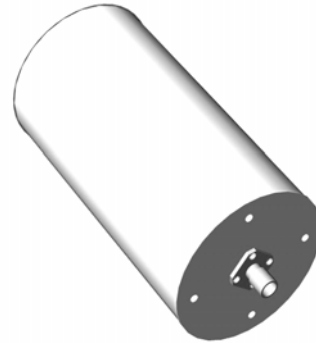


Epsilon 10 Microdesign

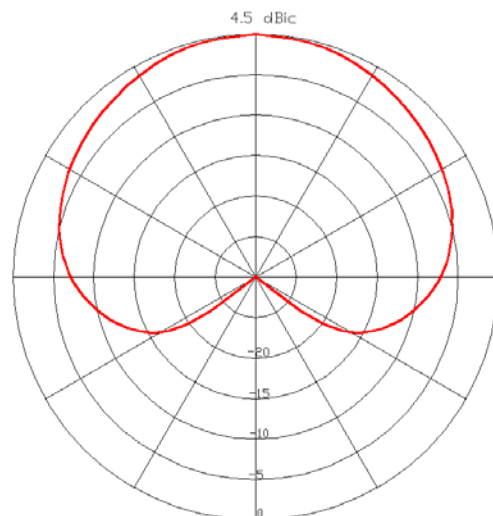
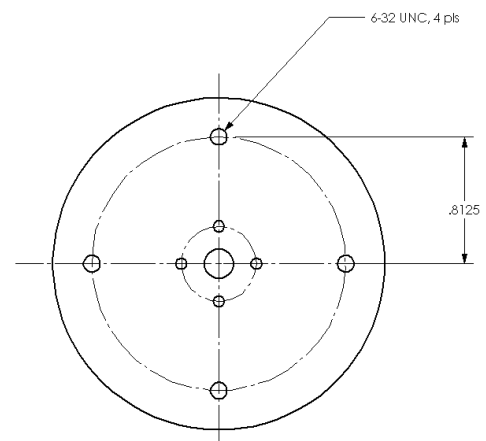
SP4060R.0

4.0 – 6.0 GHz RHCP CONICAL SPIRAL

The SP4060R.0 is a wide frequency and beamwidth antenna designed to provide hemispherical coverage without nulls from boresite (zenith) through below the horizon. The right hand circular polarization gain is greater than 4 dBic on boresite axis. Linear receive applications provide equivalent coverage with 1 dBic gain, respectively. This antenna is designed for airborne and ground applications. Mounts on 2" diameter base with 4 x 6-32 UNC holes.



SPECIFICATIONS:	
Frequency, useable	4.0 - 7.2 GHz
Gain:	4 dBic
HPBW	120°
Polarity	RHCP
Axial Ratio	3 dB nom
VSWR	< 2:1
Power	20 Watts
Weight	3 Oz
Size	2" base x 4.2" long
Connector	SMA(f)
Rating	Airborne
Construction	GRP
Finish	Polyurethane white
Mount	4 x 6-32 on 1.625" cir



ELEVATION PATTERN