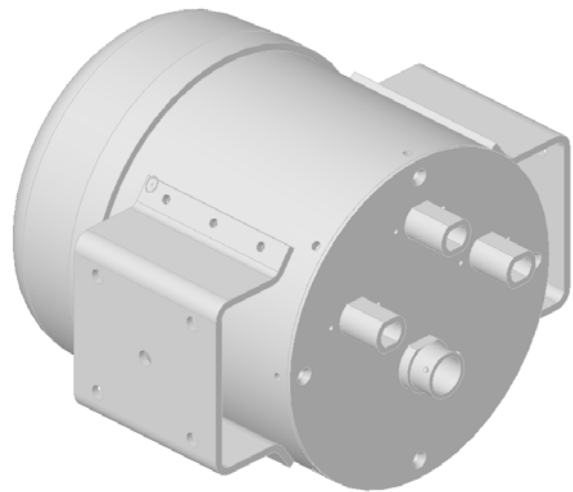


Epsilon 10 Microdesign

FMB 2-7-13

1.7-2.7 / 6 - 8 / 12-16 GHz Multiband Feed

The FMB 2-7-13 is a tri-band feed providing simultaneous transmit/receive operation in three bands. 1, 2, or 4 polarities are available in both low and mid bands. 1 or 2 polarities are available in high band. In low band the FMB 2-7-13 may be employed as a single or a dual axis tracking feed in linear or circular mode, respectively. This feed may be effectively employed in offset or symmetric reflectors with f/d ratios between .3 and .5. When incorporated into an existing single band broadcast receive site, this feed will provide multiband versatility to your station with minimal installation costs.



SPECIFICATIONS	
1.7-2.7 GHz Band	1, 2, or 4 polarity
6.0-8.0 GHz Band	1, 2 or 4 polarity
12-16 GHz Band	1 or 2 polarity
Polarities available	RHCP/LHCP/V/H
Power Capabilities	40W cw, ea. band
CP Axial Ratio	< 1.5 dB
VSWR, each band	< 1.7 : 1
Weight	3.75 lbs nom
Finish	White Polyurethane
Control	12 / 28V PT06A-12-10S
Environmental	Leak proof Surge protected

