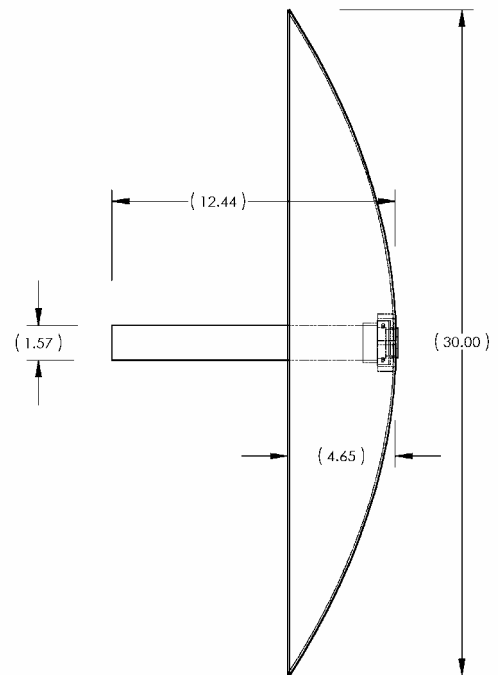
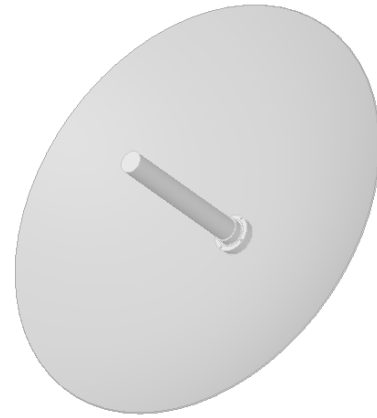


Epsilon 10 Microdesign

Axxyy.30

Axx-yy GHz 30" Dish, Feed and Bracket

The Axxyy.30 Assembly includes a 30" diameter high accuracy parabolic spun aluminum dish, a selection of wideband (xx-yy GHz) linear or circular feeds, and an integrated bracket. This parabolic reflector is designed for operation through Ka band. With standard quick release (shown) or fixed feeds, operation in any band and polarity is readily configured. Folding and fixed brackets are standard. The brackets are designed to provide mounting for portable microwave radios plus environmental protection. The Axxyy.30 is a truly versatile antenna, deployment from its compact stowed condition to on air, in any configuration, is accomplished in only minutes. Specifications and a sample of feed configurations are provided below.



SPECIFICATIONS	
Diameter:	30 inch
f/d:	0.4
Power	40 Watts
Finish:	Polyurethane White
Construction:	090 H14
Weight, less Brkt	7 lbs
Dish Mechanical	1.75" cntr 4 x .196" on 2.35" cir 4 x 5/16" on 9.0" cir

SELECTED FEEDS		
F1725.30	24 dB Lin	11° HPBW
F1727RL.30	24 dB R/L	11° HPBW
F3040/R.30	27 dB Lin/R	6.7° HPBW
F4060/R.30	31 dB Gain	4.7° HPBW
F4060RL.30	31 dB R/L	4.7° HPBW
F6080/R.30	33.6 dB Lin/R	3.4° HPBW
F8010/R.30	35.7 dB Lin/R	2.8° HPBW
F12-15.30	40 dB Lin	1.6° HPBW